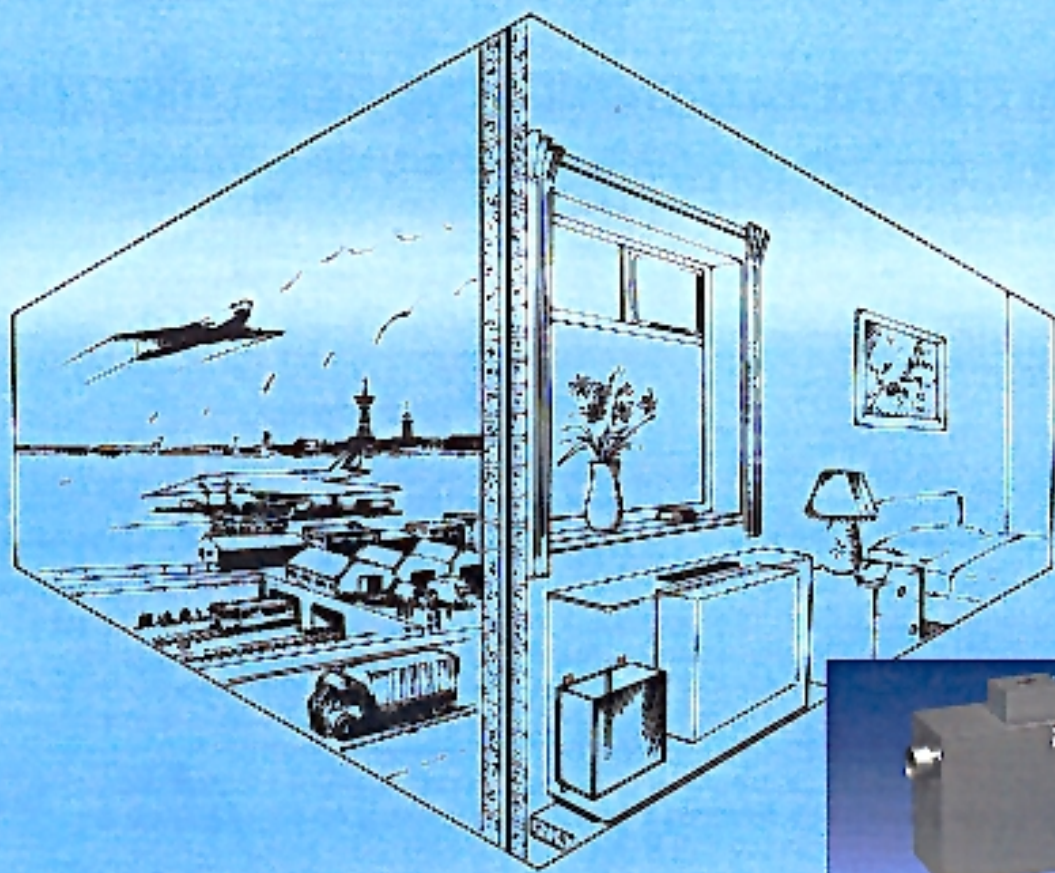


ACOUSTIC VENTILATOR

*from Diffusion...
...a breath of fresh air*



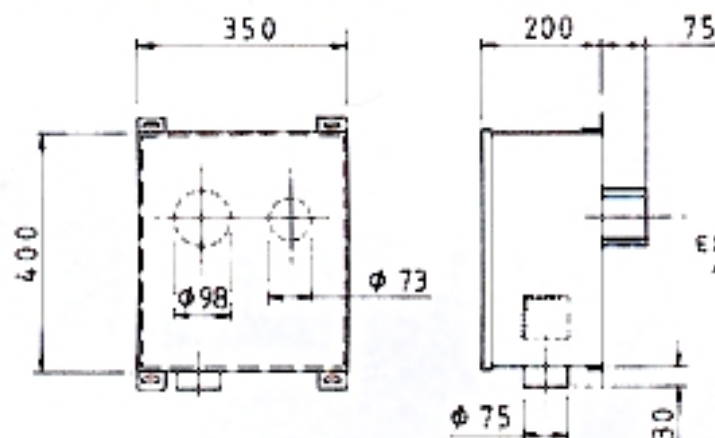
The Acoustic Ventilator has been especially designed to provide efficient sound attenuation, particularly for the fresh air supply for fan coil units on perimeter walls. Mounted internally, the Acoustic Ventilator contains twin fans for supply and extract and can be supplied with a neat external louvre. An attractive room case is also available.

The sound reduction levels quoted overleaf have been independently tested by a sound laboratory and a test rig for demonstration purposes is available at our Research and Development facility.

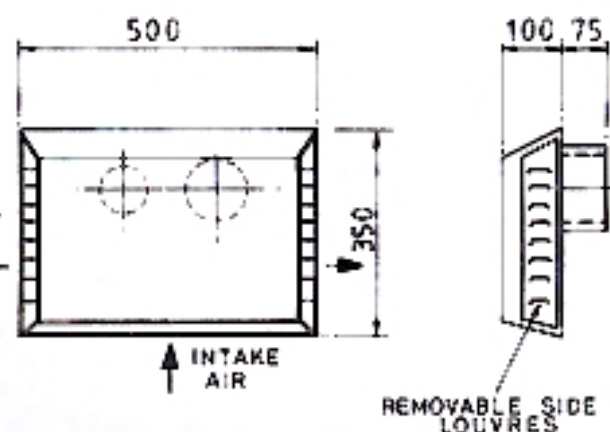
WHISPERVENT

DIMENSIONS

ACOUSTIC VENTILATOR (MOUNTING POSITION)



EXTERNAL LOUVRE



TYPICAL PERFORMANCE LEVELS

TYPICAL INSTALLATION ARRANGEMENT

Frequency	Hz	125	250	500	1K	2K
Sound reduction (i)		39	42	42	47	54
Sound power level (ii) 10^{-12} dB		46	46	42	37	31

Supply Air Volume 32 l/s

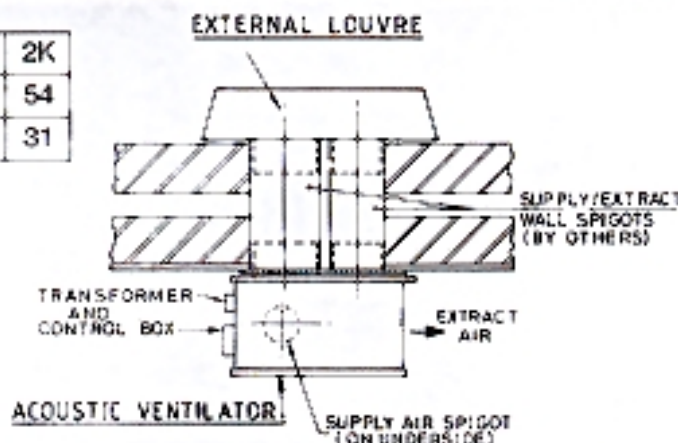
Extract Air Volume 18 l/s

Volumes are available up to 40 l/s

(i) Measured in accordance with BBA noise requirement regulations 1975.

(ii) This is the self generated level with both fans running as measured in a Sound Laboratory in accordance with BS 4196 1981.

The resultant Sound Pressure/NR level in a room will depend upon the the particular room characteristics. Typically, levels of NR 28/35 are achievable.



The Whispavent is manufactured in acoustically lined 18 gauge steel. It is available in either supply and/or extract only versions and is complete with control box, transformer and a 1m flying lead (access will be required to the controller and transformer after installation). Alternatively, the controls can be incorporated within the control panel of a Diffusion Fan Coil unit. When used with this unit, we recommend that the supply air spigot is connected via flexible ducting to the fan coil unit. The extract air should be drawn directly from the surrounding space.

The Whispavent is ideal for hotel bedrooms, commercial offices and other applications where it is either impractical or too costly to install central fresh air supply plant. It is designed to be connected within a fan coil unit casing or architectural/builders casework but can also be supplied with an attractive stelmet room case.

When used as a supply and/or extract ventilator only, we suggest that the supply air spigot is connected via flexible ducting to a discharge grille in the casing.

A backing plate is provided pre-drilled for mounting the Whispavent onto the internal wall.

The optional external metal louvre is secured to the outside wall through fixings holes, access to which is gained via the removable side plates. The louvre incorporates 2 drain points and is finished with an anti-corrosive paint to a standard BS colour.

During operation, the supply air is drawn in through the bottom of the external louvre with the extract air being drawn from the room and discharged through the 2 sides of the external louvre.

We recommend that the Whispavent is mounted at least 150mm above the finished floor level.

Fitting instructions are available on request.

**Diffusion Environmental
Systems Limited**
47 Central Avenue
West Molesey
Surrey KT8 2QZ

*Diffusion Environmental Systems have a policy of continuous development
We therefore reserve the right to alter information contained in this leaflet, without prior notice.*

Telephone 0181 783 0033
Facsimile 0181 783 0140